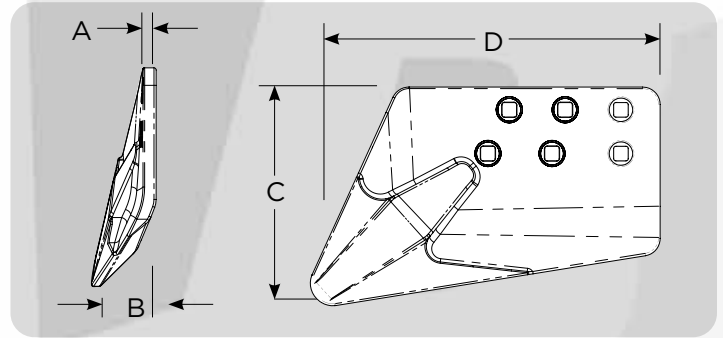




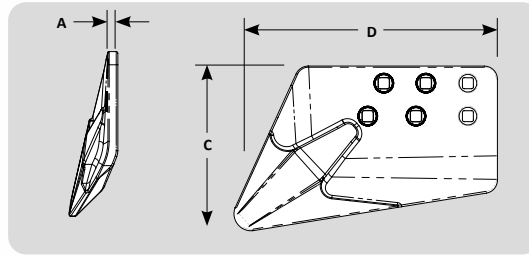
END BITS

for Applications on Dresser® & Komatsu Equipment®



Dresser® End Bits

Part Number	Side	Type	Hot Cupped Equivalent	Weight	A	B	C	D	Holes	Bolt	Dozer Model	BladeType
1244730H1C	RH	GD	1244730H1HC	37	0.75"	1.75"	10"	17.79"	6	0.75"	TD15E, TD15M	Semi U
1244729H1C	LH	GD	1244729H1HC									
646335C1C	RH	GD	646335C1H C	38	0.75"	1.75"	10"	18.01"	6	0.75"	TD12, TD12C TD15, TD15B, TD15C	Semi U
646334C1C	LH	GD	646334C1HC									
646329C1C	RH	GD	646329C1HC	72	1.00"	2.16"	12"	22.97"	8	1.00"	TD25B, TD25C TD25E, TD25G	Semi U
646328C1C	LH	GD	646328C1HC									



Komatsu® End Bits

Part Number	Side	Type	Weight	A	B	C	D	Holes	Bolt	Dozer Model	BladeType	Serial #
14Y 711 1340 14Y 71 11330 144 70 11190 144 70 11180	RH LH RH LH	LC LC GD GD	22 22 32 32	0.79" 0.79" 1.00" 1.00"	1.26" 1.26" 2.00" 2.00"	8.7" 8.7" 10.1" 10.1"	12.7" 12.7" 12.8" 12.8"	5 5 5 5	0.75" 0.75" 0.75" 0.75"	D50A-16,17 D50P-16,17 D53A-16,17 D53P-16,17	All Blades	65001-UP
										D58E-1 D58P-1	All Blades	80588-UP
										D60A-6,7 D60E-7 D60P-7	A/S/S Tilt/SU	2006-UP
										D60A-8 D60E-8	A/S/S Tilt/SU	45001-UP
										D61EX-12 D61PX-12,15	S Tilt/PA Tilt	1001-UP
										D63E-1	All Blades	1001-UP
										D65A-6,7 D65E-7	A/S/S Tilt	2006-UP
										D65A-8 D65E-8	A/S/S Tilt/SU	45001-UP
										D65E-12 D65EX-12	A/S	60001-UP
										D65EX-15	S	67001-UP
										D65P-7,8	A/S/S Tilt	40001-UP
										D65P-12 D65PX-12 D65PX-15	A/S/S Tilt	60001-UP
150 70 21346 150 70 21356	RH LH	GD GD	60 60	1.12" 1.12"	2.88" 2.88"	11.7" 11.7"	17.9" 17.9"	6 6	0.75" 0.75"	D60A-6,7 D60E-7 D65A-6,7 D65E-7	M A Tilt	2006-UP
										D60A-8 D60E-8 D65A-8 D65E-8	M A Tilt	45001-UP
										D65E-12 D65EX-12	SU	60001-60941
										D80A,E,P-18 D85EX-15 D85P-18,21	All Blades	2001-UP
										D85A-12,18,21 D85E-18,21	All Blades	25001-UP
										D85PX-15	All Blades	1001-UP
175 70 21136 175 70 21126	RH LH	GD GD	85 85	1.63" 1.63"	3.18" 3.18"	12.2" 12.2"	19.0" 19.0"	7 7	0.875" 0.875"	D135A-1	A/U	1001-UP
										D150A-1	A	5508-UP
										D155A-1	M A Tilt	6843-UP
											U	8329-UP
										D155A-2	A/U	50001-UP
										D155AX-3	A	60001-UP
										D155AX-5	A	70001-UP
										D61EX-12	SU	1001-UP
175 71 22282 175 71 22272	RH LH	GD GD	90 90	1.63" 1.63"	3.15" 3.15"	12.2" 12.2"	21.1" 21.1"	7 7	0.875" 0.875"	D61EX-15	SU	B40001-UP
										D65E-12 D65EX-12	SU	60942-UP
										D65EX-15	SU	67001-UP
										D135A-1,2	SU	10001-UP
										D150A-1 D155A-1	S Tilt	10263-UP
										D155A-2	SU/S Tilt	50001-UP
										D155AX-6	SU/U	80001-UP
										D155AX-3	SU/U	60001-UP
										D155AX-5	SU/U	70001-UP
										D275A-2	SU/U	10001-UP
D275AX-5	SU/U	20001-UP										
195 71 11183 195 71 11173	RH LH	GD GD	164 164	1.75" 1.75"	3.72" 3.72"	15.5" 15.5"	26.0" 26.0"	7 7	1.00" 1.00"	D355A-3	S/S Tilt	1632-UP
											A/U	1632-UP
										D355A-5	S/S Tilt	12622-UP
195 71 51640 195 71 51630	RH LH	GD GD	166 166	1.87" 1.87"	4.04" 4.04"	15.5" 15.5"	24.3" 24.3"	7 7	1.00" 1.00"	D375A-1	A	15001-UP
											SU/U	15001-15217
										D455A-1	Cushion	1301-UP
195 71 61940 195 71 61930	RH LH	GD GD	245 245	2.13" 2.13"	3.99" 3.99"	18.9" 18.9"	29.1" 29.1"	8 8	1.25" 1.25"	D375A-1	SU/U	15414-UP
										D375A-2	SU/U	16001-UP
										D375A-3	SU/U	17001-UP
										D375A-5	SU/U	18001-UP
										D455A-5	SU/U	1002-UP
										D455A-1	Cushion	1002-1300
198 71 31530 198 71 31520	RH LH	GD GD	333 333	2.39" 2.39"	5.48" 5.48"	20.3" 20.3"	28.6" 28.6"	8 8	1.375" 1.375"	D475A-1	SU/U	10001-UP
										D475A-2	SU/U	10201-UP
										D475A-3	SU/U/Super	10601-UP

www.blackcatwearparts.com sales@blackcatwearparts.com Toll Free: 1.800.661.6666 T: 780.465.6666 F: 780.465.9595

Caterpillar® and other identities and/or trademarks referred to in this publication are the registered marks of the entities noted herein. The use of any trademarks of others than Black Cat Wear Parts Ltd. are solely and exclusively for identification, informational, comparative, and descriptive purposes. Black Cat Wear Parts Ltd. is not affiliated with any owner of such registered marks and does not make, use, or sell any products manufactured by any such entity identified in this publication.

410.0621